

SLIDE VALVE

PNEUMATIC & SCREW TYPE A

- SIZES 100-300mm ROUND APERTURE
- MACHINED CAST ALUMINIUM BODY
- STAINLESS STEEL SLIDE PLATE & INLET BORE
- 'CLEAN' INTERNALS
- OPTION TO CUT THROUGH STATIC COLUMN

This range of slide valves for powders and granules has corrosion-resistant cast aluminium bodies and 304 stainless steel slide plates. The slide plate runs on nylon 66 supports mounted on eccentric stainless steel pins for adjustment. The pneumatic and screw valves use the same body and can readily be interchanged. The valve has lodgement free internals with a nylon scraper and seal arrangement ensuring virtually leak free operation. Inlet and outlet flanges are drilled and tapped as per DIN PN10 or ANSI 150lbs. Maximum standard operating temperature 80°C (150°C to special order). Also available in all stainless steel for applications where aluminium is unacceptable.

A modified version enables the valve to cut through a static column of all but the most 'difficult' materials.

PNEUMATIC VALVE TYPE AP

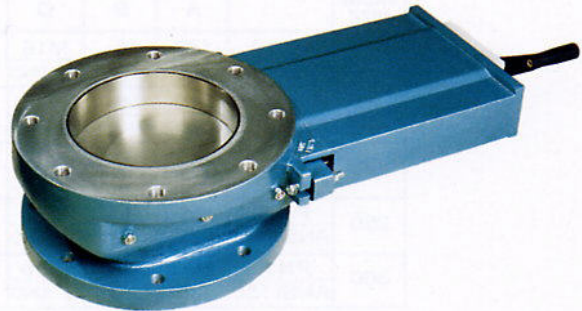
Operation is by means of a double acting cylinder with stainless steel piston rod, controlled by a single solenoid valve, pipe connections being made to the cylinder. The solenoid valve is fitted with manual override for local manual control. Switches for electrical indication of fully open and closed positions are fitted as an optional extra. Switches and solenoid valves to customers' requirements, or for use in hazardous areas, can also be fitted.



SCREW VALVE TYPE AS

Movement of the slide plate is by a double start stainless steel acme screw and nylon 66 nut and can be fitted with either handcrank or chainwheel operation.

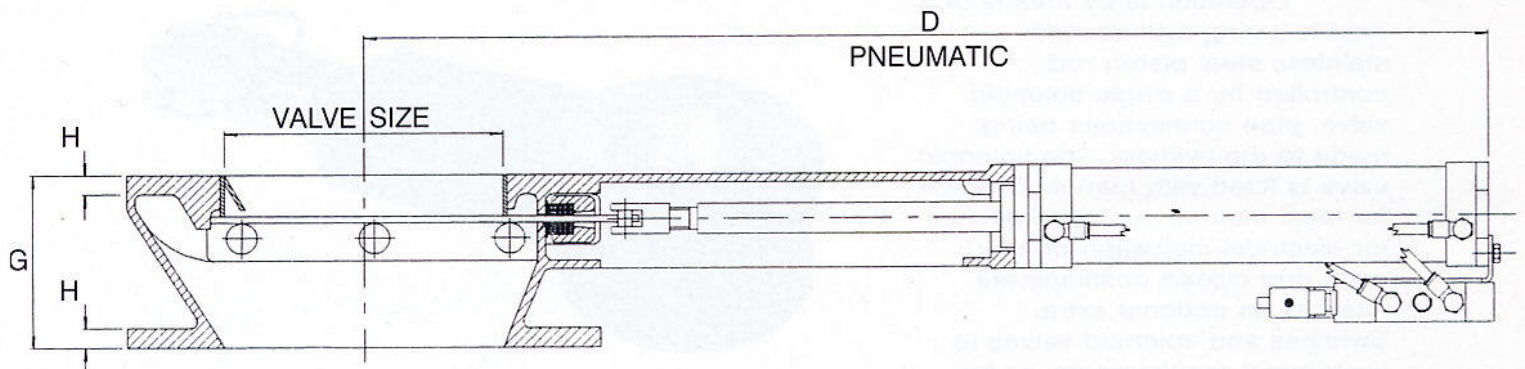
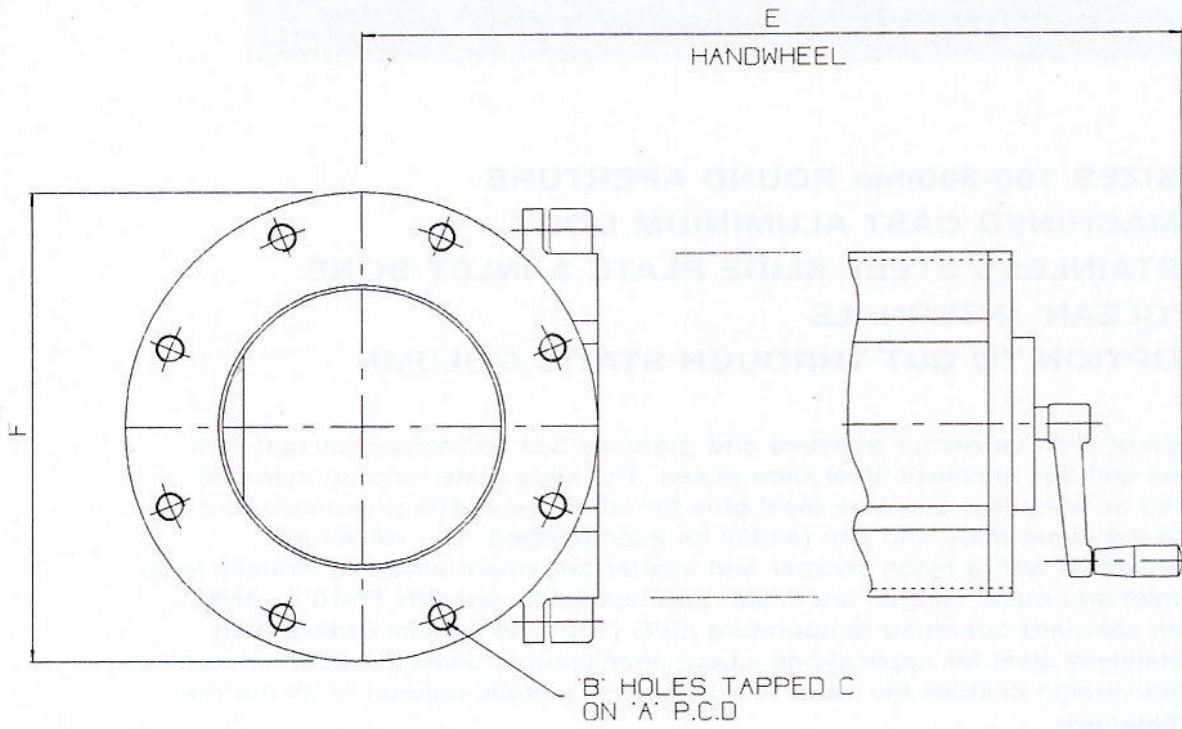
This valve, as well as for use as a shut off valve, is ideal for metering the flow with the plate in the part open/closed position.



Britton Procol
VALVES

See over for
planning-in
dimensions





Weight Kgs

VALVE SIZE		A	B	C	D	E	F	G	H	AS	AP
100	PN10	180	8	M16	564	440	230	120	19	8.3	10.2
	ANSI 150	190	8	5/8" UNC							
150	PN10	240	8	M20	689	515	280	140	22	11.8	14.1
	ANSI 150	241	8	3/4" UNC							
200	PN10	295	8	M20	814	590	340	140	22	15.7	18.2
	ANSI 150	298	8	3/4" UNC							
250	PN10	350	12	M20	961	680	405	160	24	21.5	26.5
	ANSI 150	362	12	7/8" UNC							
300	PN10	400	12	M20	1086	755	480	160	24	29	34.2
	ANSI 150	432	12	7/8" UNC							

Dimensions in mm.

We are continually developing our products and accordingly we reserve the right to change specifications and dimensions without prior notice.



BRITTON PROCOL VALVES · KYNOCHS
BIDEFORD · DEVON · ENGLAND · EX39 4DT
TEL 01237 477465 · FAX 01237 421459
EMAIL post@britton.dowsongroup.com
www.dowsongroup.com