

BUTTERFLY VALVE

DATA SHEETS

Britton Procol
 VALVES

HEAD OFFICE: Kynochs Industrial Estate Bideford Devon EX39 4DT England Tel: +44 (0) 1237 477 465 Fax: +44 (0) 1237 421 459
SALES OFFICE: 10 Purbeck Drive West Bridgford Nottingham NG2 7UA England Tel: +44 (0) 1158 469 469 Fax: +44 (0) 1158 461 834

THE DOWSON GROUP

www.dowsongroup.com

BRITTON PROCOL VALVES

DOWSON HANDLING

HELI-TEC

WRIGHTS

BUTTERFLY VALVES

TYPE IVT-01

Specification:

Type IVT-01 Butterfly Valves are lightweight valves designed for controlling bulk solids.

The construction of the valve ensures a low break-out torque and good flow characteristics.

The valves are available in a wide choice of materials and may be used in both harsh industrial and hygienic applications.

Features:

Sizes: DN50 – DN500.

Rating: PN6 - PN10.

Face to Face Dimension: See Data Sheets.

Connections: To DIN 2501.

Body Type: Wafer Type.

Maximum Operating Pressure: 2 barg.

Special Features:

Actuation: Two Handed Operation. (For Big Bag Discharge etc).

Disc Coating: Rilsan. PTFE

Disc Finish: Mirror Polishing. (For Hygienic Applications).

Construction Materials:

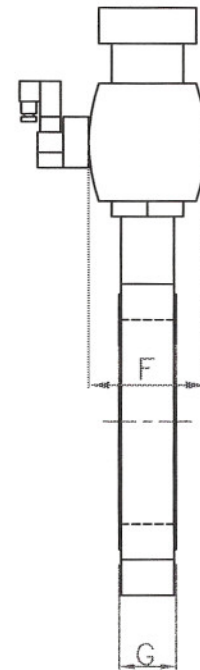
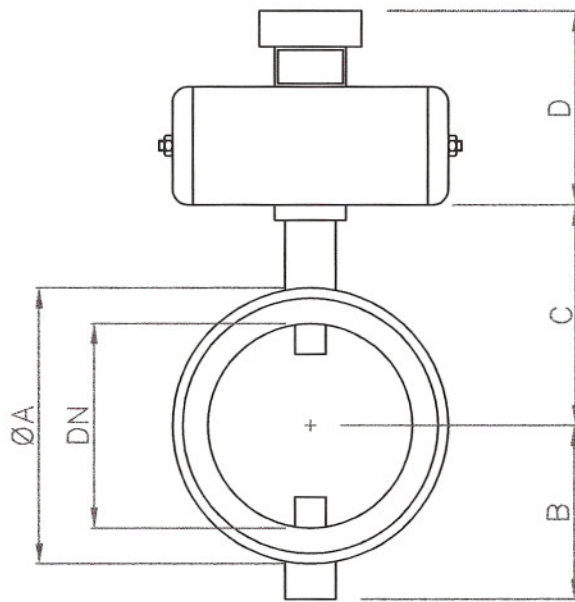
Part	Standard	Option
Body	Cast Aluminium	Stainless Steel
Disc	St 37 (Mild Steel)	RVS 316 (Stainless Steel)
Shafts	St C45 (Mild Steel)	RVS 316 (Stainless Steel)
Liner / Seal	White Food Quality Rubber	Nitrile Rubber. Viton. EPDM. Silicone. Polyurethane. Buna N

Britton Procol Valves

Head Office: Kynochs Industrial Estate Bideford Devon EX39 4DT Tel: 01237 477 465 Fax: 01237 421 459
Midlands Office: 10 Purbeck Drive West Bridgford Nottingham NG2 7UA Tel: 01158 469 469 Fax 01158 461 834

PNEUMATICALLY OPERATED BUTTERFLY VALVES

DATA SHEET: BFP.01.05.03.



DN	A	B	C	D	E	F	G	VALVE REF
50	105	83	128	155	202	80	36	PAA 1010
65	125	93	135	155	202	80	36	PAA 1011
80	140	100	143	155	202	80	36	PAA 1012
100	160	110	153	175	250	104	36	PAA 1013
125	190	125	177	175	250	104	42	PAA 1014
150	215	143	189	235	250	104	42	PAA 1015
200	270	170	216	190	296	115	52	PAA 1016
250	325	198	256	205	342	137	67	PAA 1017
300	375	223	282	205	342	137	67	PAA 1018
350	435	253	306	220	402	146	67	PAA 1019
400	485	283	336	220	402	146	67	PAA 1020
500	590	335	386	243	486	169	76	PAA 1021

Britton Procol
VALVES

HEAD OFFICE: Kynochs Industrial Estate Bideford Devon EX39 4DT England Tel: +44 (0) 1237 477 465 Fax: +44 (0) 1237 421 459
 SALES OFFICE: 10 Purbeck Drive West Bridgford Nottingham NG2 7UA England Tel: +44 (0) 1158 469 469 Fax: +44 (0) 1158 461 834

THE DOWSON GROUP

www.dowsongroup.com

BRITTON PROCOL VALVES

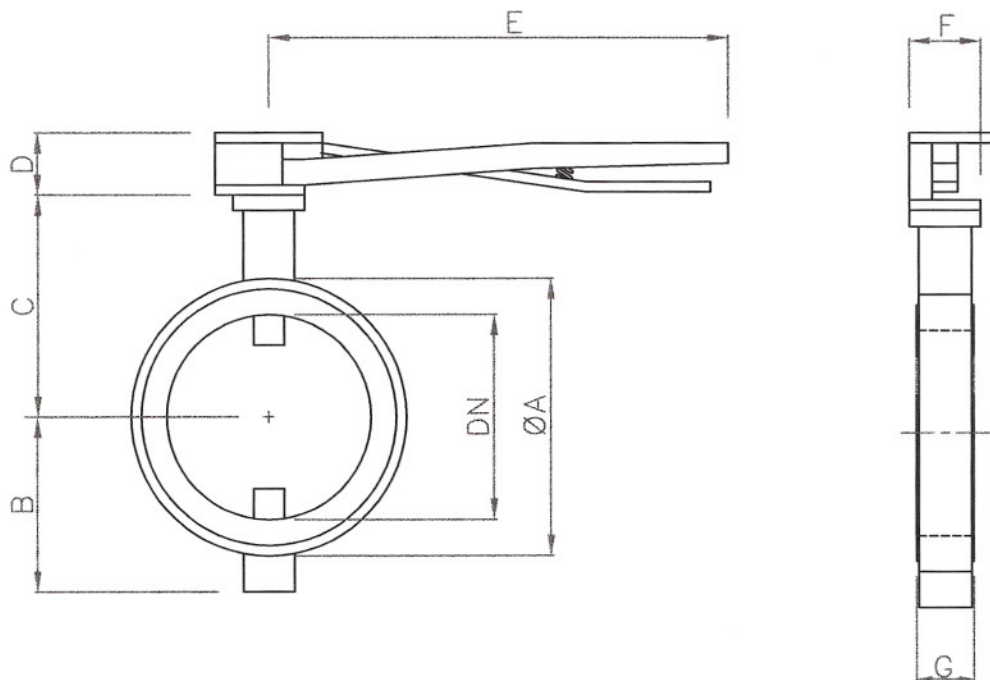
DOWSON HANDLING

HELI-TEC

WRIGHTS

HAND LEVER OPERATED BUTTERFLY VALVES

DATA SHEET: BFM.01.05.03.



DN	A	B	C	D	E	F	G	VALVE REF
50	105	83	128	35	200	80	36	PAA 1030
65	125	93	135	35	200	90	36	PAA 1031
80	140	100	143	35	200	90	36	PAA 1032
100	160	110	153	35	200	90	36	PAA 1033
125	190	125	177	35	200	100	42	PAA 1034
150	215	143	189	35	200	100	42	PAA 1035
200	270	170	216	61	450	100	52	PAA 1036
250	325	198	256	56	450	120	67	PAA 1037
300	375	223	282	56	450	120	67	PAA 1038
350	435	253	306	56	450	140	67	PAA 1039
400	485	283	336	56	450	140	67	PAA 1040
500	590	335	386	56	450	140	76	PAA 1041

Britton Procol
VALVES

HEAD OFFICE: Kynochs Industrial Estate Bideford Devon EX39 4DT England Tel: +44 (0) 1237 477 465 Fax: +44 (0) 1237 421 459
 SALES OFFICE: 10 Purbeck Drive West Bridgford Nottingham NG2 7UA England Tel: +44 (0) 1158 469 469 Fax: +44 (0) 1158 461 834

THE DOWSON GROUP

www.dowsongroup.com

BRITTON PROCOL VALVES

DOWSON HANDLING

HELI-TEC

WRIGHTS