

AUTOMATIC PNEUMATIC SAMPLERS

MODEL SS

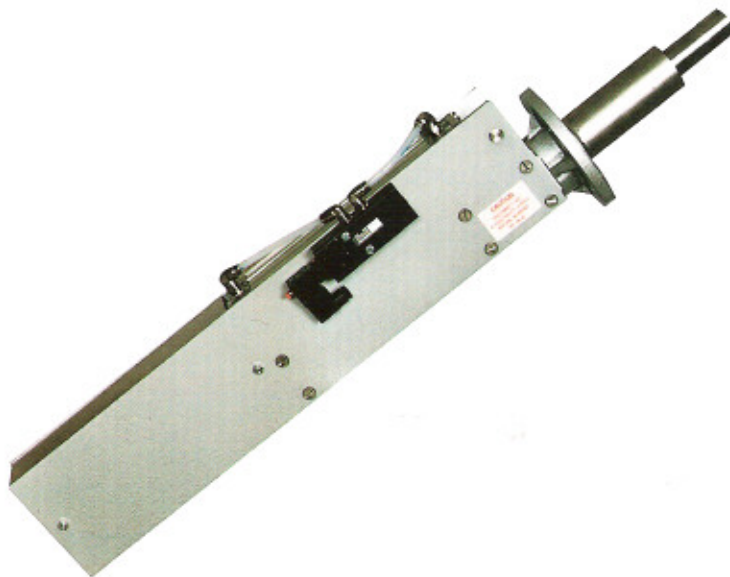
- **SUITABLE FOR POWDERS AND GRANULES**
- **SAMPLE CATCHMENT FROM PNEUMATIC CONVEYING LINES, GRAVITY CHUTES AND HOPPERS**
- **NO PRODUCTION DEGRADATION**
- **SIMPLE CONSTRUCTION**

This pneumatically operated sampling device has been specifically designed to provide a representative sample of powders or granules from a variety of sampling locations.

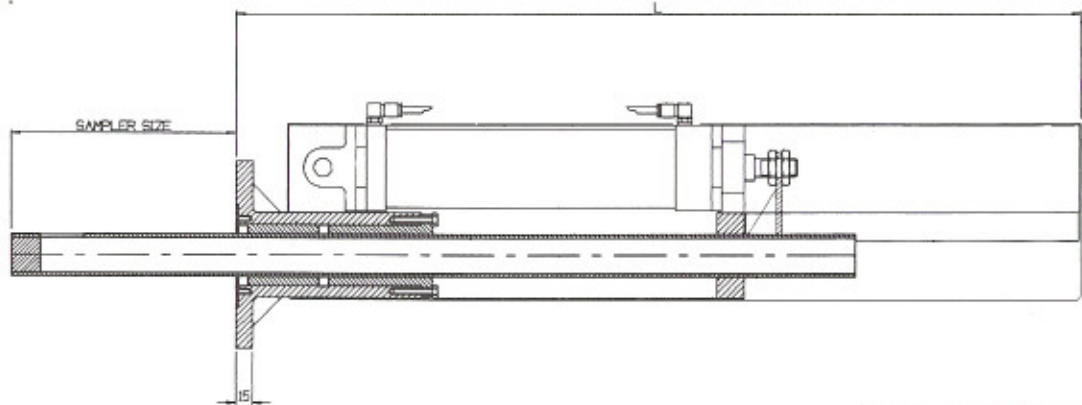
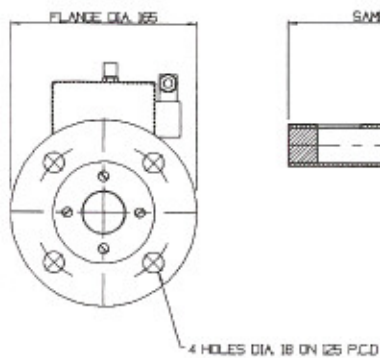
The sampler's construction consists of a corrosion resistant aluminium body, 316 stainless steel precision ground sample tube, UPC-10 polyethylene based seals and operated by a pneumatic cylinder to VDMA standard. The cylinder is controlled by a single 5/2 solenoid valve.

Sample collection is achieved by the operation of the pneumatic cylinder, which moves the sample tube into and out of the product flow. The sample tube slot allows product to pass into the sample tube. Any pressure differential is equalised, allowing the sampled product to fall under gravity to the collection point. The sample is continuously discharged whilst the tube is extended into the product flow.

After the desired sample is taken, the tube is retracted from the product stream, leaving the collection point fully isolated from the sample area.



Britton
POWDER CONTROL



SAMPLER SIZE	DIM. L
100	560
150	660
200	760
250	860
300	960

Dimensions in mm.

MOUNTING POSITIONS



OPTIONS:

- Fully adjustable electrical sequence control unit
- Fully adjustable pneumatically operated control unit
- Various types of mounting adaptors
- Smooth bore flexible hose and sample container with wall mounting bracket
- Electrical indication of sample tube position

We are continually developing our products and accordingly we reserve the right to change specifications and dimensions without prior notice.



BRITTON VALVES LTD · KYNOCHS · BIDEFORD
DEVON · ENGLAND · EX39 4DT

TEL 01237 477465 · FAX 01237 421459