

SLIDE VALVE

PNEUMATIC & SCREW TYPE S

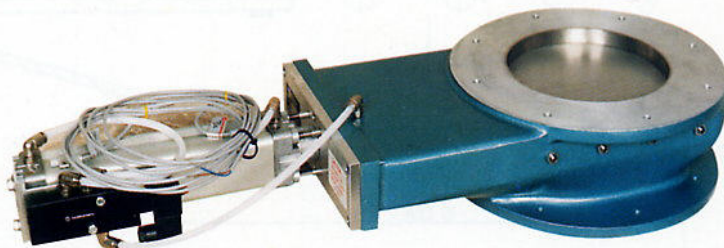
- DUST-TIGHT TO ATMOSPHERE
- MACHINED CAST ALUMINIUM BODY
- STAINLESS STEEL SLIDE PLATE
- SIZES 100-300mm. SQUARE OR ROUND
- SHALLOW 'POCKET' ABOVE SLIDE PLATE
- SCREW OR PNEUMATIC OPERATION
- INLET AND OUTLET FLANGES ARE IDENTICAL

This range of fully enclosed slide valves for the control of gravity fed powders and granules, has corrosion resistant cast aluminium alloy bodies with 304 stainless steel slide plates and inlet bores as standard. The slide plate runs on nylon 66 supports mounted on eccentric stainless steel pins for adjustment. Both versions use the same body and are dust-tight to atmosphere even when used with the finest materials. Inlet and outlet flanges are drilled M10 and spaced according to ANSI 150lb as standard. Flanges to customers' requirements may also be supplied. Maximum operating temperature 80°C (150°C to special order). Also available in all stainless steel for applications where aluminium is unacceptable. These valves are not designed to close through a static column of material.

PNEUMATIC VALVE TYPE SP

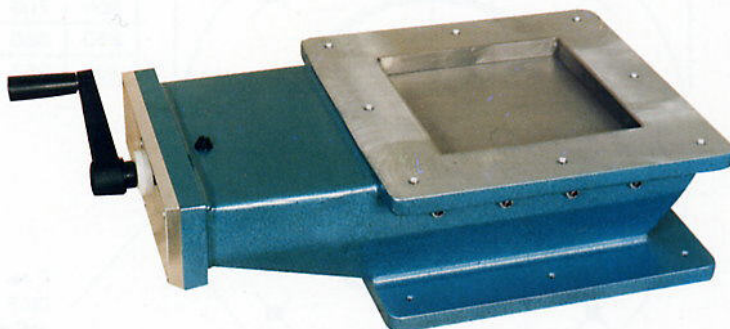
Operation is by means of a double acting cylinder with stainless steel piston rod, controlled by a single solenoid valve, pipe connections being made to the cylinder. As supplied, the valve will close in the event of a failure in the electricity supply.

Switches for electrical indication of fully open and closed positions are fitted as an optional extra. Switches and solenoid valves to customers' choice or for use in hazardous areas can also be fitted.



SCREW VALVE TYPE SS

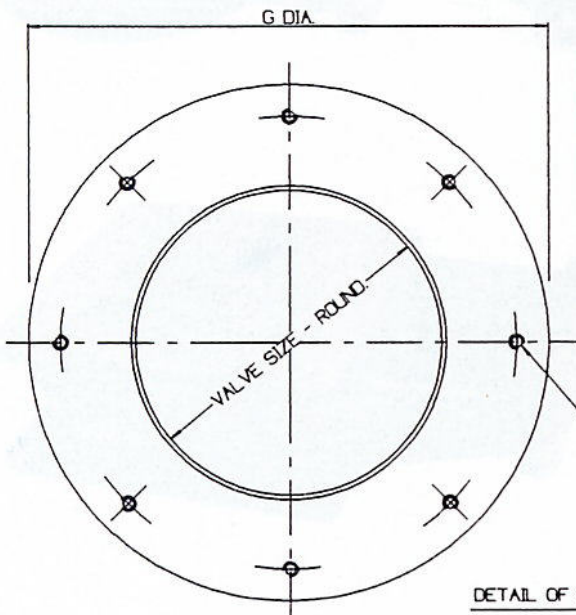
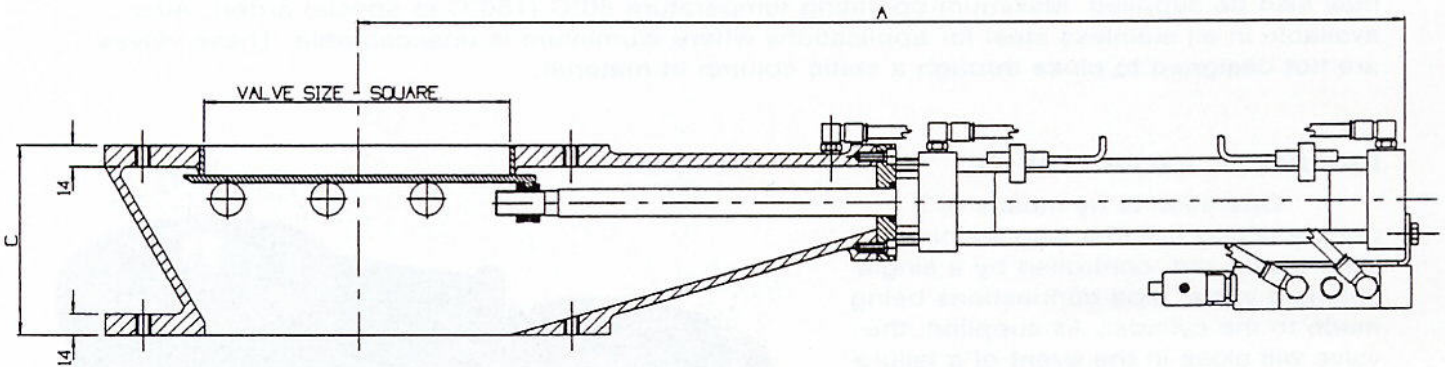
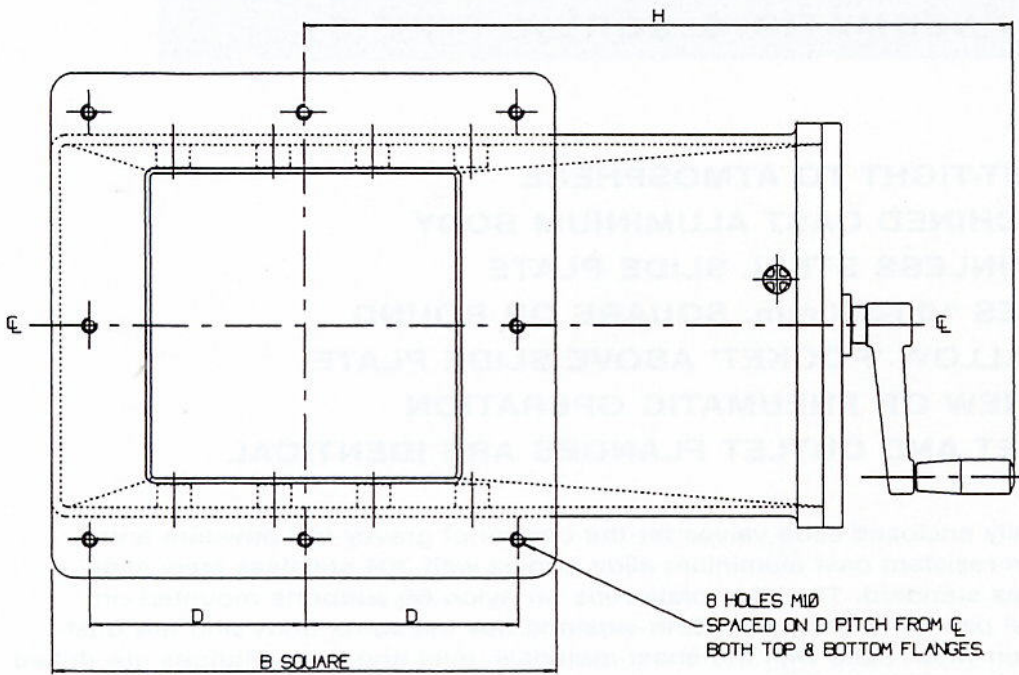
Movement of the slide plate is by a double start stainless steel acme screw and nylon 66 nut and can be fitted for either handwheel or chainwheel operation. This valve, as well as for use as a shut off valve, is ideal for metering the material flow with the plate in the part open/closed position.



Britton Procol
VALVES

See over for
planning-in
dimensions





DETAIL OF FLANGES FOR ROUND VALVE

VALVE SIZE	A	B	C	D CRS.	E NO.	F P.C.D.	G DIA.	H	Weight	
									SS	SP
100	455	230	110	90	8	190	230	330	7.2	9.9
150	580	280	125	115	8	241	280	405	9.9	12.3
200	705	330	125	140	8	298	340	480	11.2	16.2
250	830	380	140	165	12	362	405	555	18.7	21.5
300	955	430	140	190	12	432	480	630	21.7	26.3

Dimensions in mm. Weight in Kgs.

Britton Procol
VALVES

We are continually developing our products and accordingly we reserve the right to change specifications and dimensions without prior notice.

BRITTON PROCOL VALVES · KYNOCHS
BIDEFORD · DEVON · ENGLAND · EX39 4DT

TEL 01237 477465 · FAX 01237 421459
EMAIL post@britton.dowsongroup.com
www.dowsongroup.com