

SLIDE VALVE

HEAVY DUTY TYPE H

- MILD STEEL OR STAINLESS STEEL CONSTRUCTION
- SIZES 150-500mm
- SCREW OR PNEUMATIC OPERATION
- MACHINED SEAT FOR EFFICIENT SHUT OFF
- ADJUSTABLE FELT SEAL

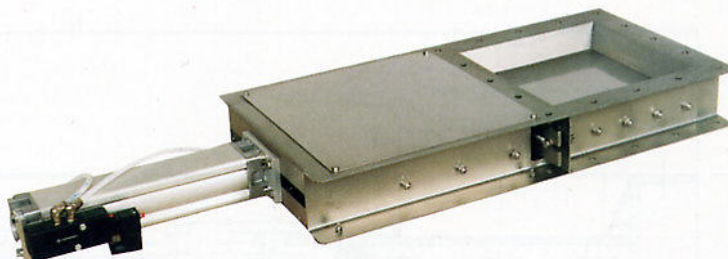
This slide valve for powders and granular material has been specially developed for use on outlets of conveyors, silos and any other discharge point where a robust and powerful valve is required.

The body is constructed from channel section steel. The slide plate runs on independently adjustable nylon supports and is sealed to the outside by an adjustable felt seal. Use of the centrally mounted actuator ensures trouble free operation. These valves are not 100% dust-tight to the outside and are not designed to close through a static column of material. Maximum operating temperature 80°C (150°C to special order).

Special size valves also available.

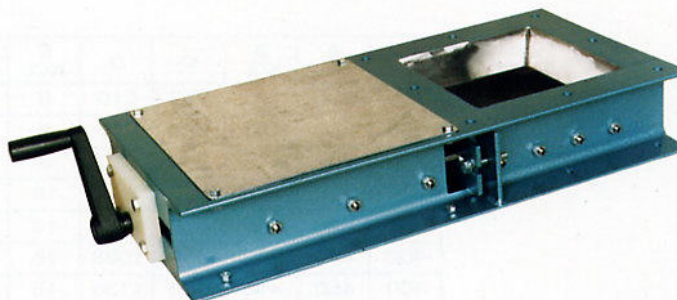
PNEUMATIC VALVE TYPE HP

Operation is by a double-acting cushioned cylinder with stainless steel piston rod controlled by a single solenoid valve, pipe connections being made to the cylinder and arranged to close the valve should electricity supply fail. The solenoid valve has manual override for local manual operation. Switches for electrical indication of valve status can be fitted if required. Switches and solenoid valves to customers' requirements, or for use in hazardous areas, can also be fitted.



SCREW VALVE TYPE HS

Quick and easy movement of the slide plate is by a double start acme screw and nut and can be fitted with a handwheel or alternatively a chainwheel for operating at varying heights above floor level. This valve, as well as for use as a shut off valve, is ideal for metering material flow in the part open/closed position.

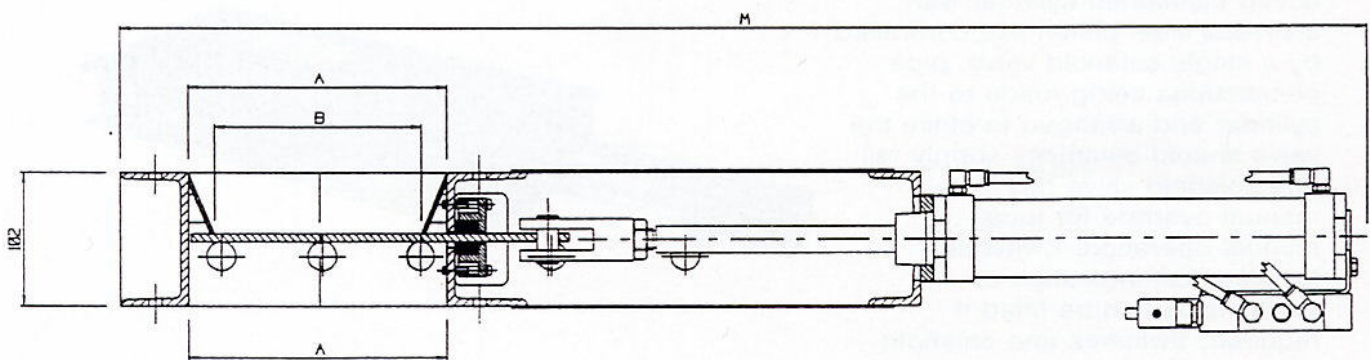
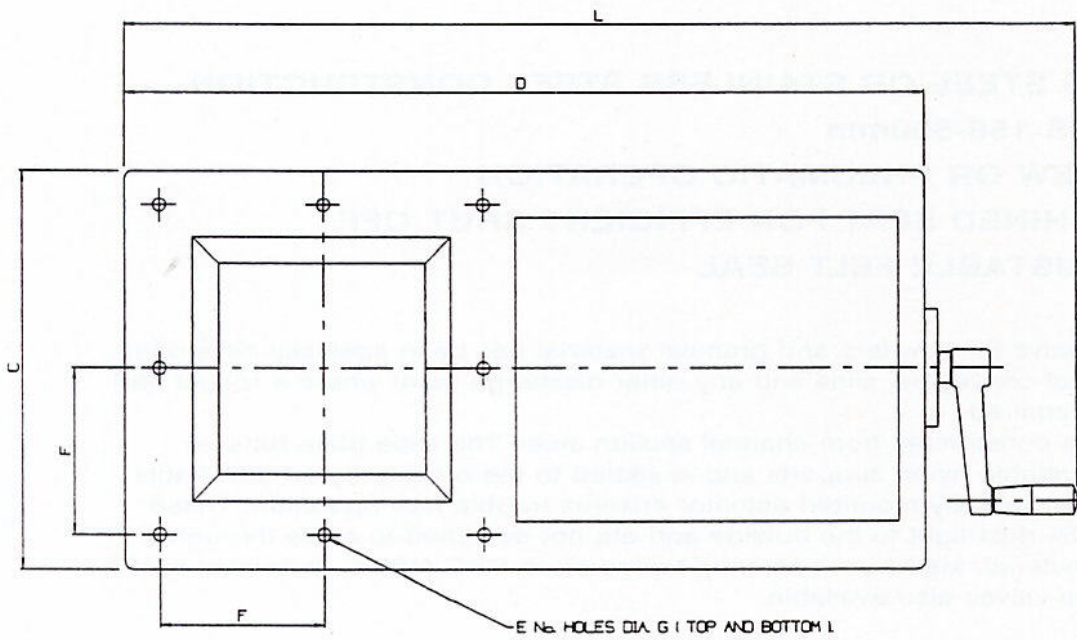


Britton Procol
VALVES



See over for
planning-in
dimensions





VALVE SIZE	A SQ.	B SQ.	C	D	E NO.	F CRS.	G DIA.	L	M
150	150	115	252	510	8	100	10	630	800
200	200	165	302	610	8	125	10	730	950
250	250	215	352	710	8	150	10	830	1100
300	300	260	402	800	16	88	12	910	1250
350	350	310	452	900	16	100	12	1010	1400
400	400	360	502	1035	16	112	14	1145	1550
450	450	410	552	1135	16	125	14	1245	1700
500	500	460	602	1235	16	138	14	1345	1850

Dimensions in mm.

We are continually developing our products and accordingly we reserve the right to change specifications and dimensions without prior notice.



BRITTON PROCOL VALVES · KYNOCHS
BIDEFORD · DEVON · ENGLAND · EX39 4DT

TEL 01237 477465 · FAX 01237 421459
EMAIL post@britton.dowsongroup.com
www.dowsongroup.com