

## GRAVITY DIVERTER VALVE

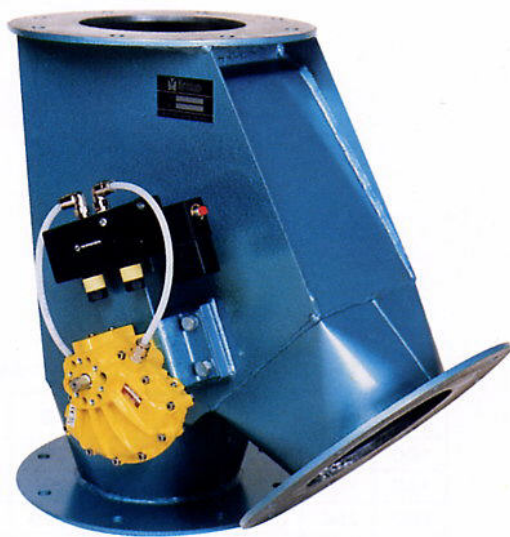
### PNEUMATIC TYPE K

- STAINLESS STEEL OR MILD STEEL CONSTRUCTION
- PNEUMATIC OPERATION
- SIZES 100-300mm
- FLAP IN STAINLESS STEEL
- FOOD QUALITY RUBBER WIPER 'SEAL'
- STANDARD SIZES OR SPECIALS
- ROUND OR SQUARE APERTURES

This valve is available fabricated in mild steel or stainless steel, making it ideal for the bulk handling of powders, pellets and granules in the food, chemical, plastics, etc., industries.

The smooth internal faces ensure no lodgement areas and the diverting flap comprises two stainless steel plates sandwiching a rubber wiper seal.

Operation is by a pneumatic vane type actuator, controlled by a single solenoid valve. The solenoid valve is fitted with manual override for local manual control. Switches for electrical indication of valve positions are fitted as an optional extra. Switches and solenoid valves to customers' requirements, or for use in hazardous areas, can also be fitted.



Type KS with  
round aperture



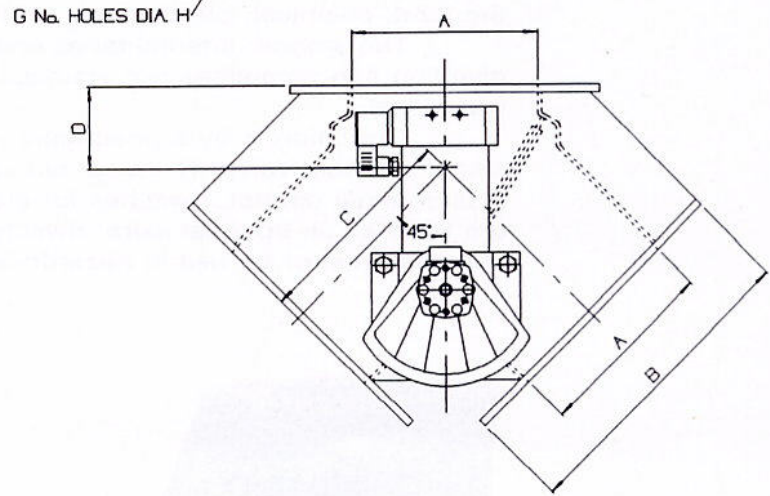
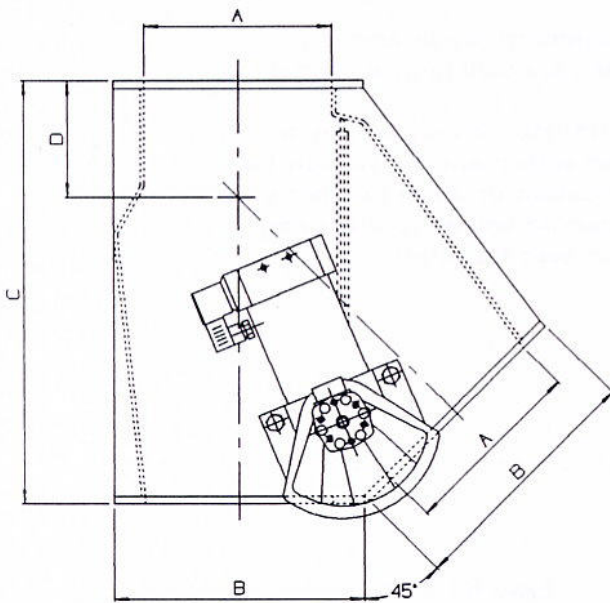
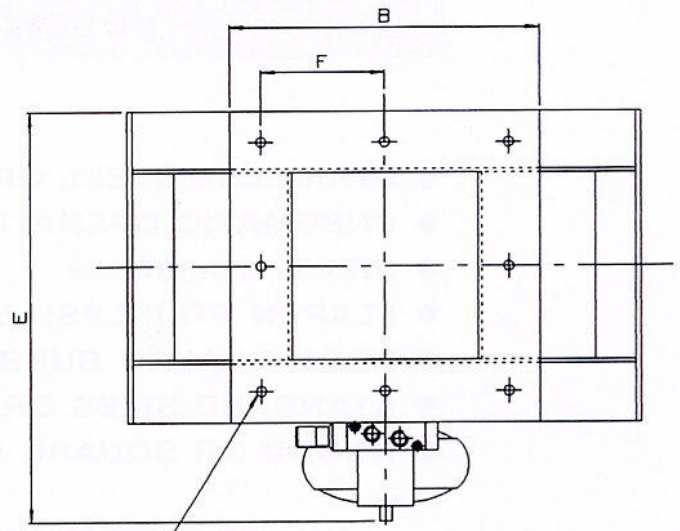
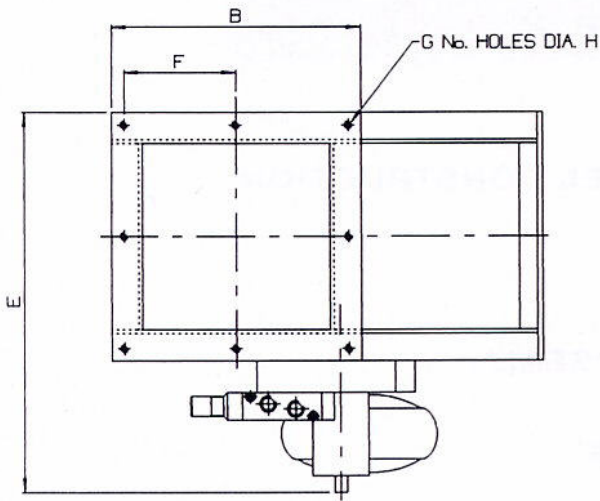
Type KT with  
square aperture

# Britton Procol

**VALVES**

*See over for  
planning-in  
dimensions*





**TYPE KS WITH SQUARE APERTURE**

VALVE SIZE	A	B	C	D	E	F	G	H
100	100	150	265	73	230	65	8	M6
150	150	200	340	93	280	90	8	M6
200	200	280	440	96	350	120	8	M8
250	250	350	540	108	420	75	16	M8
300	300	400	620	130	520	88	16	M8

Dimensions in mm.

**TYPE KT WITH SQUARE APERTURE**

VALVE SIZE	A	B	C	D	E	F	G	H
100	100	200	143	50	250	75	8	8
150	150	250	169	66	300	100	8	8
200	200	300	193	94	370	125	8	10
250	250	350	219	100	420	75	16	12
300	300	400	243	128	520	88	16	12

Dimensions in mm.

Please contact us for dimensions of round aperture valves.

We are continually developing our products and accordingly we reserve the right to change specifications and dimensions without prior notice.



BRITTON PROCOL VALVES · KYNOCHS  
BIDEFORD · DEVON · ENGLAND · EX39 4DT

TEL 01237 477465 · FAX 01237 421459  
EMAIL [post@britton.dowsongroup.com](mailto:post@britton.dowsongroup.com)  
[www.dowsongroup.com](http://www.dowsongroup.com)